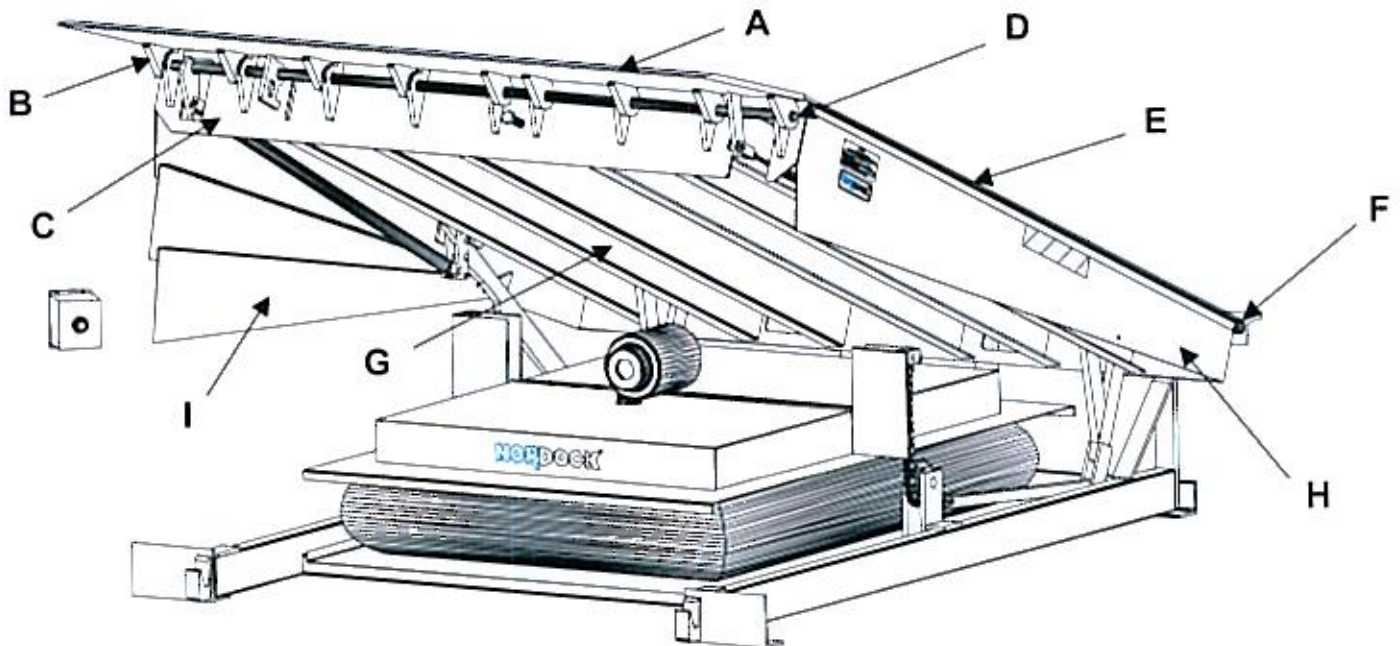


NORDOCK INC.
AIRDOCK™ SERIES DOCKLEVELER
25,000 - 50,000 LB. CAPACITY
WITH PATENTED NEXT GENERATION
AIR™ TECHNOLOGY

NORDOCK®

STANDARD FEATURES

- Fully Protected Single-Chamber™ Balanced Air Bag Activation System
- Exclusive Lip Lug and Header Plate Design With Self Cleaning Feature
- Additional Center Deck Reinforcement
- Continuous Smooth Transition Full Width Rear Hinge With No Gap
- Integral Lip & Deck Maintenance Supports
- Auto-Descent Lip™ Extension
- Zinc Plated Front & Rear Hinge Rods
- Dual Side 33% Deck to Beam Weld Pattern
- Six Solid Steel Rear Frame Supports
- Full Range Telescoping Side Guards
- Self Contained 115 Volt Fan System
- Single Push Button Activation
- 16" Lip, (18" & 20" Available)
- 10-Year Structural & 5-Year Lift Activation Warranty
- Security Night Locks



MATERIAL SPECIFICATIONS

- | | |
|---|---|
| <ul style="list-style-type: none"> A. 50 KSI TREAD PLATE LIP B. 50 KSI SELF CLEANING LIP LUGS C. 8" HIGH FRONT HEADER PLATE D. 1" ZINC PLATED S.A.E. 1045 LIP HINGE ROD E. 50 KSI TREAD PLATE DECK | <ul style="list-style-type: none"> F. 7/8" PLATED S.A.E. 1045 FULL WIDTH REAR HINGE ROD G. 6" HIGH 50 KSI BEAMS WITH 2" TOP AND BOTTOM FLANGES H. 10ga WELDED SIDE GUARDS I. FULL RANGE TELESCOPING SIDE GUARDS |
|---|---|

NORDOCK INC.

Website: Nordockinc.com ~ Email: Sales@Nordockinc.com ~ Toll free: 866-885-4276

Nordock Inc. reserves the right to make changes to specifications without notice or obligation. Nordock products are covered by U.S. patents: 6,834,409; 6,912,750; 7,013,519; 7,162,762 and pending U.S. and foreign patent applications.